

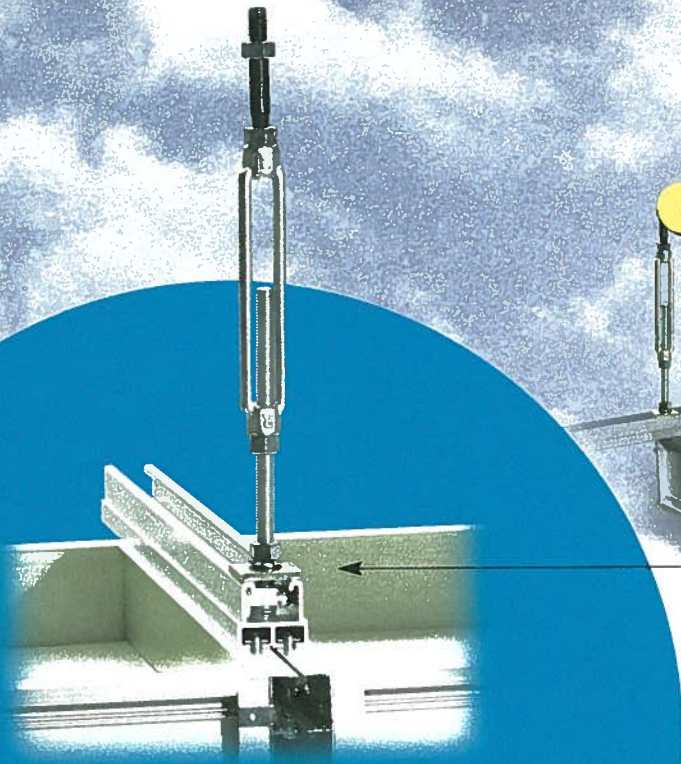
The image features a large, detailed view of a HEPA Q3-4000 ceiling filter system. The system consists of a grid of metal frames with a translucent, light-colored filter material. The frames are interconnected with visible hinges and locking mechanisms. The background is a bright blue sky with scattered white clouds. In the top right corner, the HEPA Corporation logo is displayed in blue and black. The bottom of the page has a solid orange horizontal bar.

HEPA[®]
CORPORATION

quick install
quick seal
quick removal

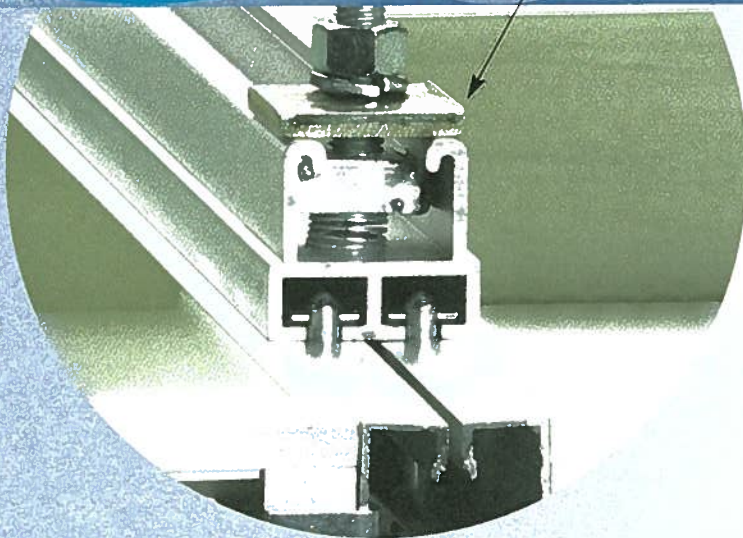
Q3-4000[®]
ceiling filter system

minimum
completely portable
modular



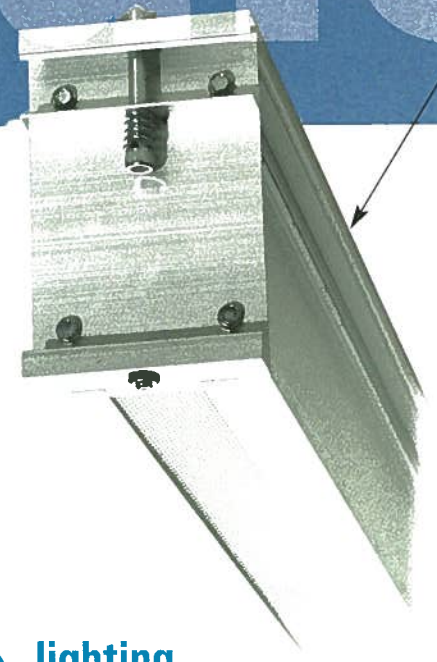
▲ **simplified installation**

Hang the double-channel struts in one direction and you are ready to install the filters. The patented design of the strut and latch pin assembly self-aligns the ceiling.



▲ **no expensive t-grid or gel required**

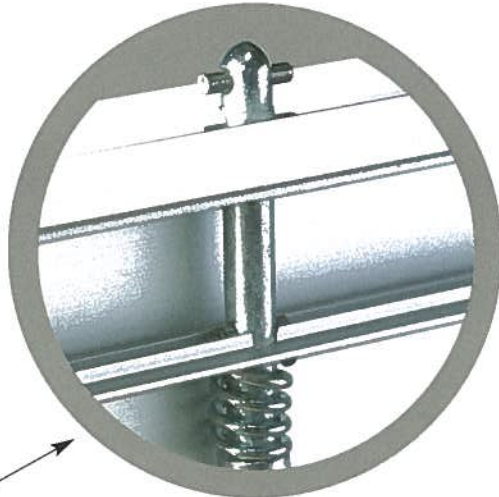
No grid to install and no gel to pour means significant material and labor savings. This cutting-edge approach makes t-grids obsolete and revolutionizes present-day thinking of cleanroom design and maintenance!



▲ **lighting**

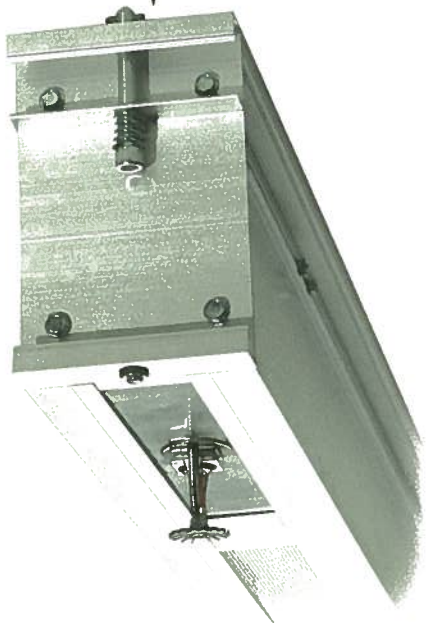
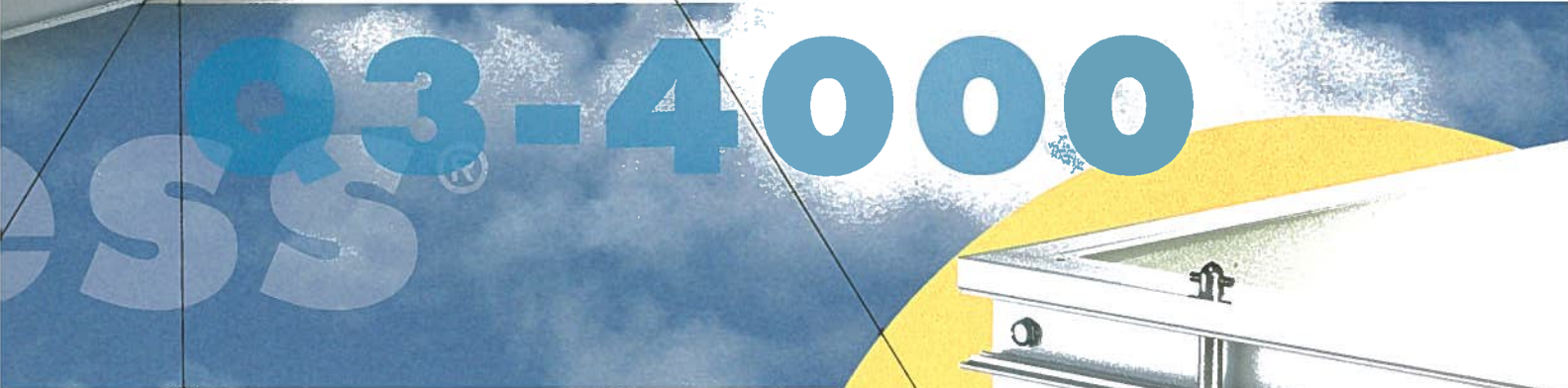
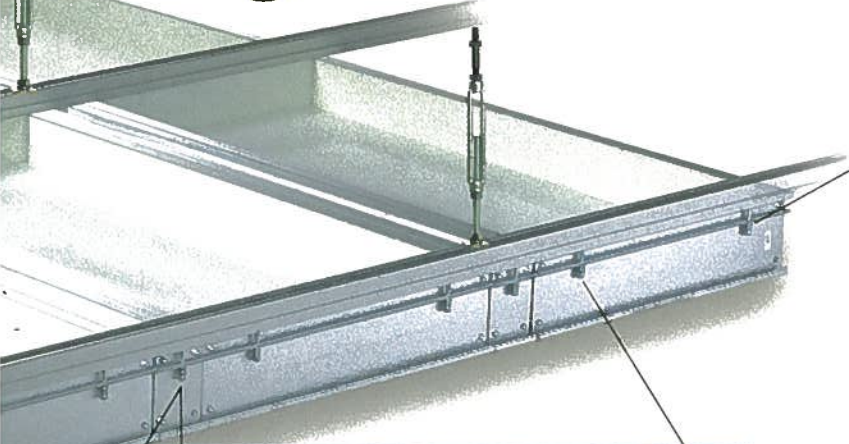
Installs exactly like the filters. High output flush lights are placed only where desired.

no plenum required simple design



▲ patented locking mechanism

The spring-loaded pins lock the filters and lights securely in place, allowing for the easiest installation, replacement and maintenance.

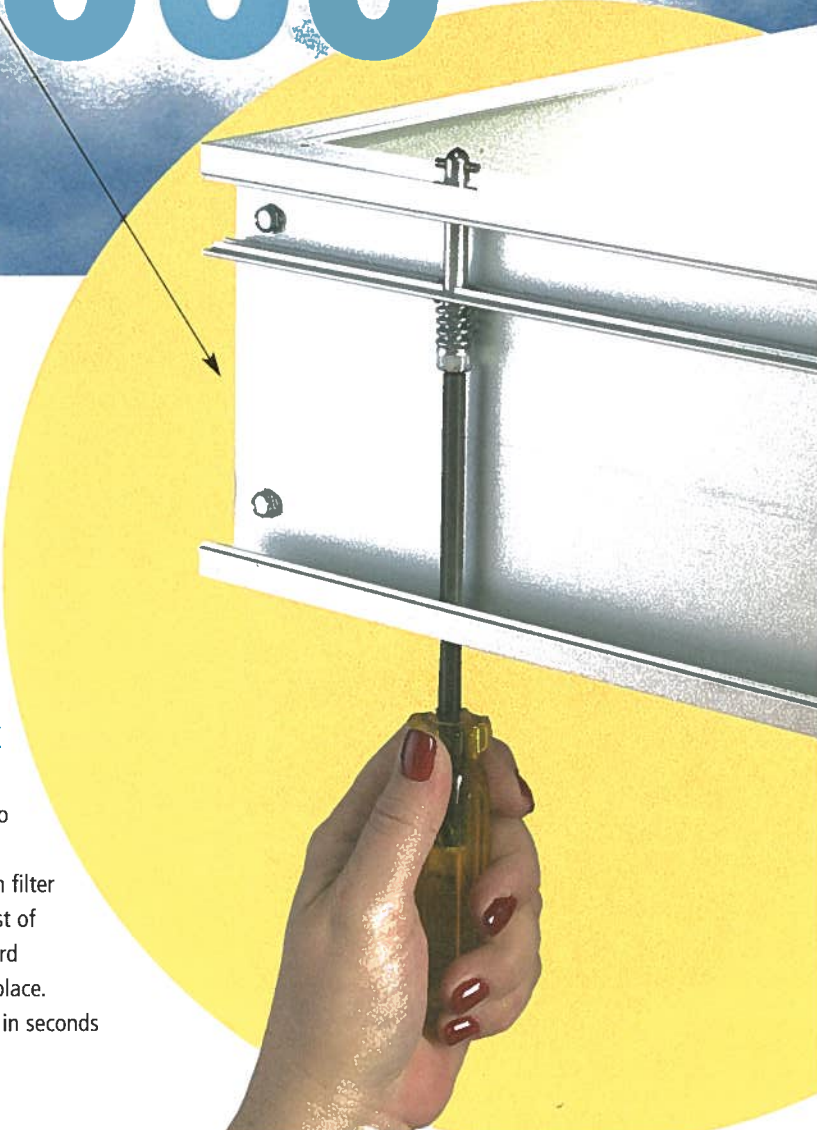


▲ fire sprinklers

Fire suppression ports or complete sprinkler assemblies can be designed into any light assembly.

▶ lift and lock simplicity

Filters no longer have to be angled up into the plenum. Simply lift each filter into position and a twist of the wrist with a standard hexdriver secures it in place. Installation is achieved in seconds instead of minutes.

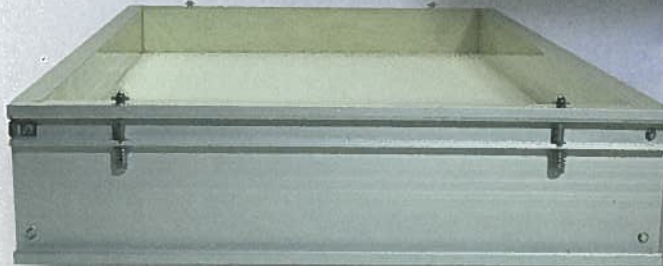
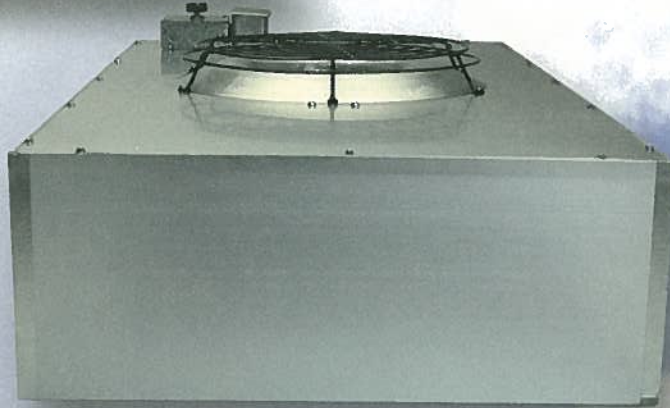


the Q3-4000[®] accommodates any or all of the following combinations:



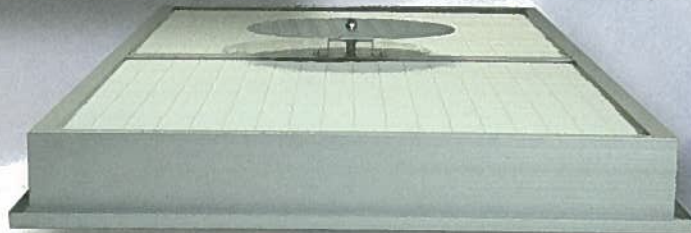
◀ **HEPA-HOOD™
ducted modules**

fan filter units ▶



◀ **standard or ENERGY-
SAVER® filters in
any efficiency**

**PERMA-HOOD™ ▶
roomside replaceable
modules**



HEPA[®]
CORPORATION

3071 E. Coronado Street
Anaheim, California 92806-2698
phone (714) 630-5700
fax (714) 630-2894
www.hepa.com
e-mail: info@hepa.com

suggested specifications

Filter ceiling system shall be Q3-4000 Gridless[®] Ceiling Filter System as manufactured by HEPA Corporation of Anaheim, California. All filters, lights and blank panels shall interlock into the supporting structures using spring-loaded latches and double-channel struts. No T-grid, gaskets, or gel channels shall be allowed. The system must be engineered for seismic Zone 4 stability. All double-channel strut and frame material shall be anodized extruded aluminum and be constructed to exact room dimensions of ___"x___"x___". The entire system shall use only environmentally friendly adhesives and sealants.

Products are covered by U.S.P. 5,871,556; 5,946,875; 6,070,383; 6,174,342; 6,183,528; 6,190,431; 6,270,546; 6,267,793; and other foreign patents.